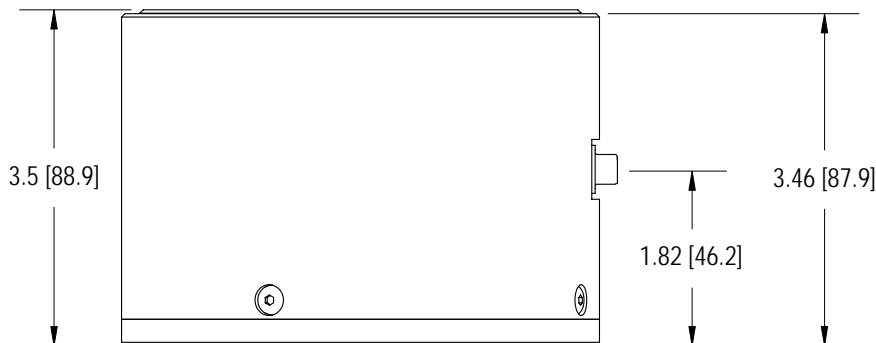
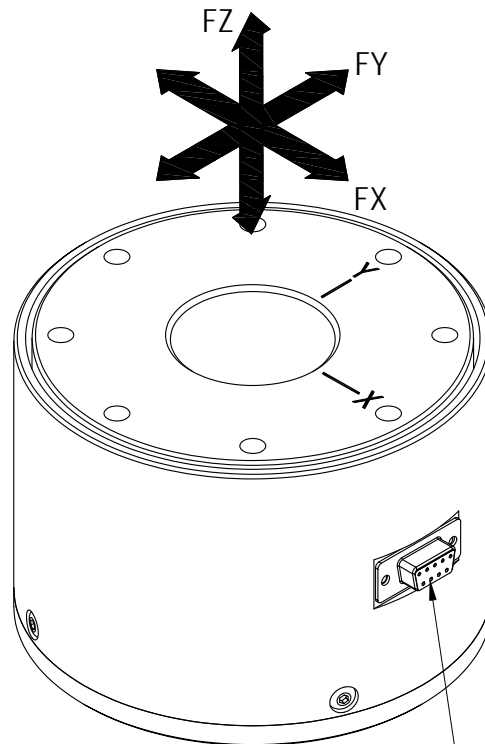
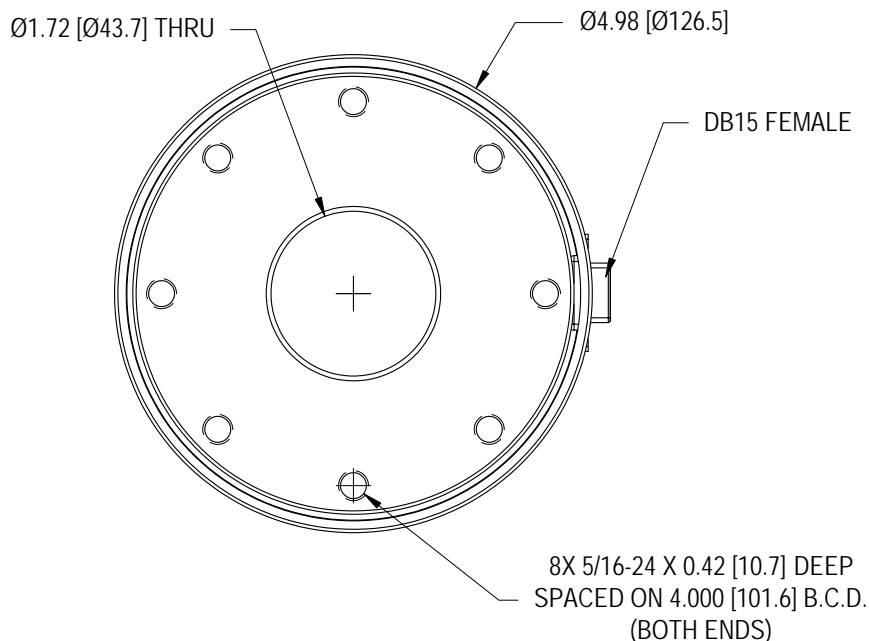


FUTEK MODEL MTA600
STK# FSH02250

TRI AXIAL LOAD CELL F_x, F_y, F_z

Drawing Number: FI1194

INCH [mm] R.O.= Rated Output



DB15 FEMALE

PIN	CODE	CHANNEL #
1	+E	1 (F_x)
2	-E	
3	-S	
4	+S	
5	+E	2 (F_y)
6	-E	
7	-S	
8	+S	
9	+E	3 (F_z)
10	-E	
11	-S	
12	+S	

SPECIFICATIONS:

RATED OUTPUT 1.50 mV/V nom (F_x, F_y) ; 0.75 mV/V nom (F_z)
CAPACITY 2500 lb [1134 kg] (F_x, F_y) ; 5000 lb [2268 kg] (F_z)
SAFE OVERLOAD 150% of R.O.
ZERO BALANCE $\pm 1\%$ of R.O.
EXCITATION (VDC OR VAC) 18 MAX
BRIDGE RESISTANCE 350 Ω (F_x, F_y) 700 Ω (F_z)
NONLINEARITY $\pm 0.5\%$ of R.O.
HYSTERESIS $\pm 0.5\%$ of R.O.
NONREPEATABILITY $\pm 0.2\%$ of R.O.
TEMP. SHIFT ZERO $\pm 0.02\%$ of R.O./ $^{\circ}F$ (0.036% of R.O./ $^{\circ}C$)
TEMP. SHIFT SPAN $\pm 0.02\%$ of LOAD/ $^{\circ}F$ (0.036% of LOAD/ $^{\circ}C$)
COMPENSATED TEMP. 60 to 160 $^{\circ}F$ (15 to 71 $^{\circ}C$)
OPERATING TEMP. 0 to 160 $^{\circ}F$ (-17 to 71 $^{\circ}C$)
WEIGHT 8 lb
MATERIAL 17-4 PH S.S. Construction
CONNECTOR: DB15 FEMALE
ACCESSORIES AND RELATED INSTRUMENTS AVAILABLE
CALIBRATION (STD) 5 pt. COMPRESSION; 75K Ω (F_x, F_y) 200K Ω (F_z)
CALIBRATION EXCITATION: 10 VDC

This drawing is submitted solely for the information and exclusive use of the original addressee. It is not to be divulged in whole or in part, by any firm or individual without written permission from FUTEK

CAGE CODE # 1X8M6

Sensocon
Sensorik und Messtechnik

Sensocon GmbH
Hindenburgstr. 24
67433 Neustadt
Germany

Fon: +49-(0) 6321-9684013
Fax: +49-(0) 6321-9684014
<http://www.sensocon.de>

FUTEK
ADVANCED SENSOR TECHNOLOGY, INC.